

Schaerer Coffee Vito

Model Powdermilk SCV PM CT1-TVO/CT2MA/OD/KE
(coffee / hot water / milk / chocolate)

March 2009



Basic configuration

Spouts: coffee / hot water	1 / 1
Boilers: coffee and hot water (2kW)	1
Grinders / DECAF function	2 / 1
Programmable product selection	up to 14 products
Bean hopper / Water supply	each 1.1 kg / 4.5 l tank
Powder-System for Choco / Topping	Topping (1 type of milk powder) or Choco/Topping (milk – and chocolate powder)
Illuminated panel	Colour of your choice or continually changing

Connections

Voltage / power / fuse protection	230/220/210 VAC, 2.2/1.8 kW, 10 A
Water connection / water outlet	G ½ "max 3 bar / Ø 56mm
Water hardness	5°-7° dh / 8°-12° fh

Dimensions

Width / depth / height	330 / 583 / 814 mm
Weight	about 36 kg

Output per hour (approximate)

Espresso (cup of 50 - 60 ml)	100
Coffee (cup of 120 ml)	80
Cappuccino (cup of 180ml) / Latte Macchiato (cup of 200ml)	60 / 40
Moccaccino (cup of 180ml) / Heisse Schokolade (cup of 180ml)	60 / 60

Options

Chute for coffee grounds under counter
Fresh water and waste water tank
Cup warmer
Connection to all commercial invoicing systems

Dimensions

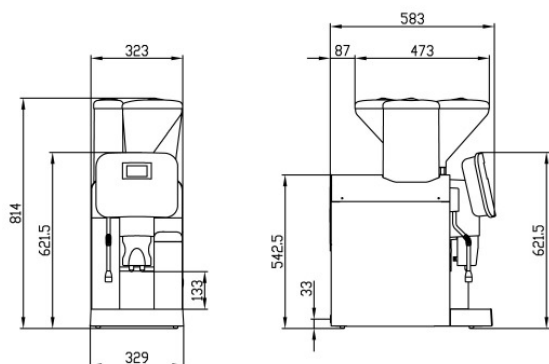


Illustration /configuration may vary from offered machines.

Colours

Illustrations may not reflect actual colour



Kenya, black

M. Schaerer Ltd.
Gewerbstrasse 15
CH – 3302 Moosseedorf
Phone +41 (0)31 858 51 11
Fax +41 (0)31 858 51 40
info@schaerer.com
www.schaerer.com

schaerer[®]
coffee comes to life

Schaerer Coffee Vito

Model Powdermilk SCV PM CT1-FTU/CT2MA/OD/KE
(coffee / hot water / milk / chocolate)

March 2009



Basic configuration

Spouts: coffee / hot water	1 / 1
Boilers: coffee and hot water (2kW)	1
Grinders / DECAF function	2 / 1
Programmable product selection	up to 14 products
Bean hopper / Water supply	each 1.1 kg / Aquaflex
Powder-System for Choco / Topping	Topping (1 type of milk powder) or Choco/Topping (milk – and chocolate powder)
Illuminated panel	Colour of your choice or continually changing

Connections

Voltage / power / fuse protection	230/220/210 VAC, 2.2/1.8 kW, 10 A
Water connection / water outlet	G ½ "max 3 bar / Ø 56mm
Water hardness	5°-7° dh / 8°-12° fh

Dimensions

Width / depth / height	330 / 583 / 814 mm
Weight	about 36 kg

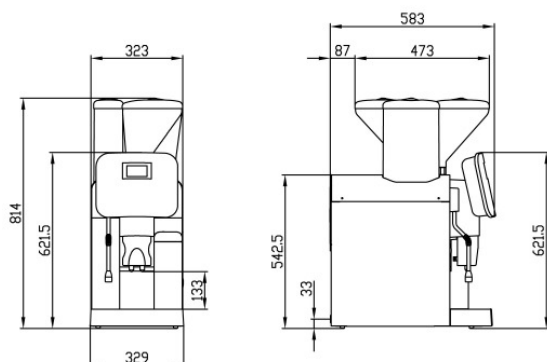
Output per hour (approximate)

Espresso (cup of 50 - 60 ml)	100
Coffee (cup of 120 ml)	80
Cappuccino (cup of 180ml) / Latte Macchiato (cup of 200ml)	60 / 40
Moccaccino (cup of 180ml) / Heisse Schokolade (cup of 180ml)	60 / 60

Options

Chute for coffee grounds under counter
Cup warmer
Connection to all commercial invoicing systems

Dimensions



Colours

Illustrations may not reflect actual colour



Kenya, black

Illustration /configuration may vary from offered machines.

M. Schaerer Ltd.
Gewerbstrasse 15
CH – 3302 Moosseedorf
Phone +41 (0)31 858 51 11
Fax +41 (0)31 858 51 40
info@schaerer.com
www.schaerer.com

schaerer
coffee comes to life

Schaerer Coffee Vito

Model Powdermilk SCV PM CT1-FWA/CT2MA/OD/KE
(coffee / hot water / milk / chocolate)

March 2009



Basic configuration

Spouts: coffee / hot water	1 / 1
Boilers: coffee and hot water (2kW)	1
Grinders / DECAF function	2 / 1
Programmable product selection	up to 14 products
Bean hopper / Water supply	each 1.1 kg / fixed water connection
Powder-System for Choco / Topping	Topping (1 type of milk powder) or Choco/Topping (milk – and chocolate powder)
Illuminated panel	Colour of your choice or continually changing

Connections

Voltage / power / fuse protection	230/220/210 VAC, 2.2/1.8 kW, 10 A
Water connection / water outlet	G ½ "max 3 bar / Ø 56mm
Water hardness	5°-7° dh / 8°-12° fh

Dimensions

Width / depth / height	330 / 583 / 814 mm
Weight	about 36 kg

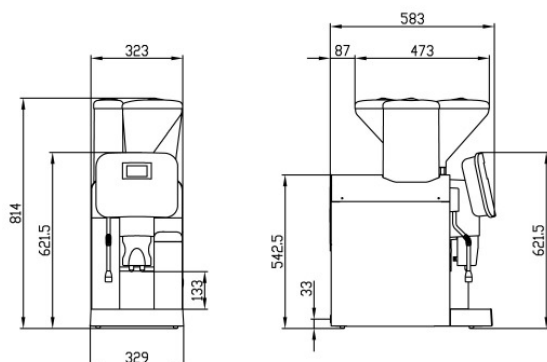
Output per hour (approximate)

Espresso (cup of 50 - 60 ml)	100
Coffee (cup of 120 ml)	80
Cappuccino (cup of 180ml) / Latte Macchiato (cup of 200ml)	60 / 40
Moccaccino (cup of 180ml) / Heisse Schokolade (cup of 180ml)	60 / 60

Options

Chute for coffee grounds under counter
Cup warmer
Connection to all commercial invoicing systems

Dimensions



Colours

Illustrations may not reflect actual colour

 Kenya, black

Illustration /configuration may vary from offered machines.

M. Schaerer Ltd.
Gewerbstrasse 15
CH – 3302 Moosseedorf
Phone +41 (0)31 858 51 11
Fax +41 (0)31 858 51 40
info@schaerer.com
www.schaerer.com

schaerer
coffee comes to life